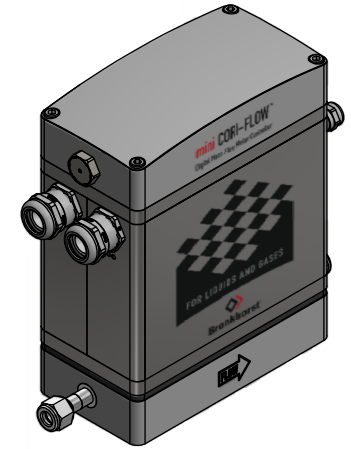
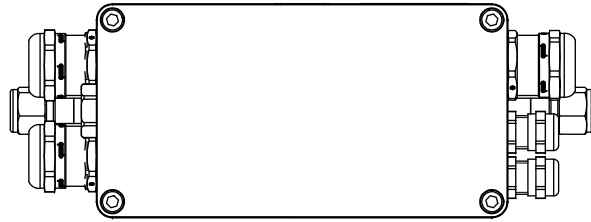
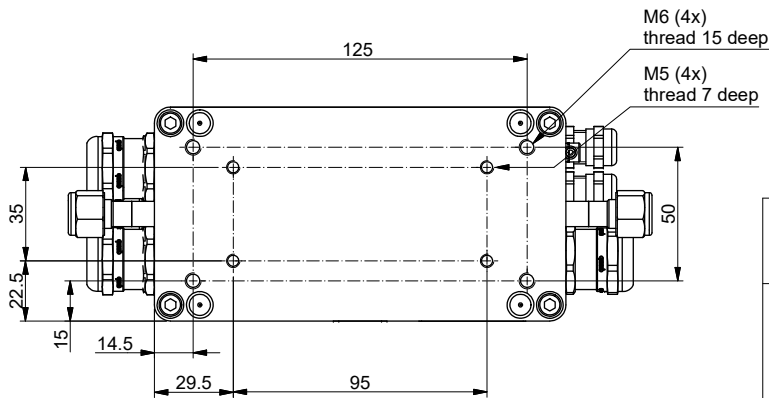
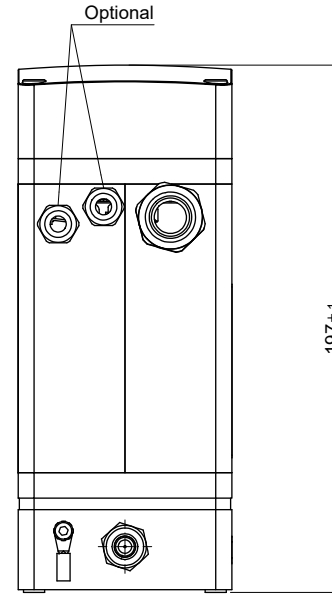
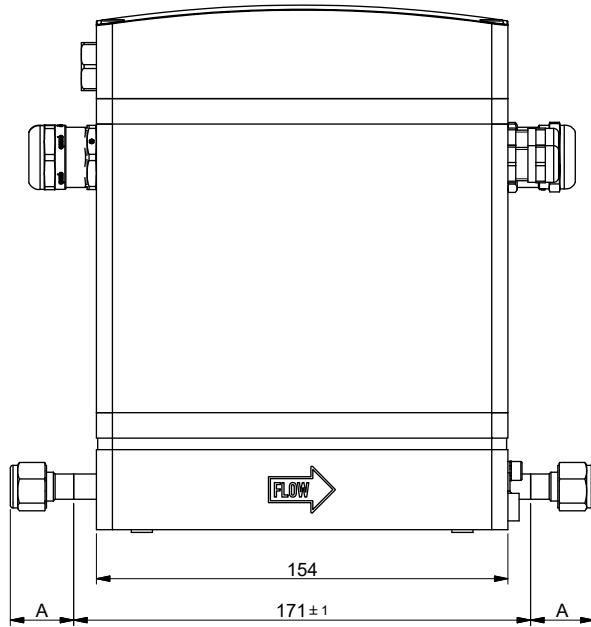
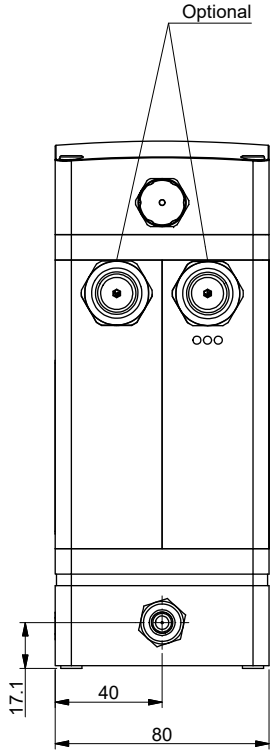


Check document 7.05.672 for dimension A.
 Dimensions subject to change without notice.

Tolerances ± 0.2 unless
 otherwise mentioned



(1:3)



Title: Dimensional drawing M1x0		CONFIDENTIAL	Drawn by: J.W. Date: 03-01-2018		Revision Description: Update model	
 www.bronkhorst.com			Rev. by: M.H. Date: 23-09-2020		Checked: K.B. Date: 23-09-2020	
		Projection: Third Angle Dimensions: Metric (mm)				Scale: 1:2
Drawing no.: 7.14.001			Rev: D		Page: 1 - 1	