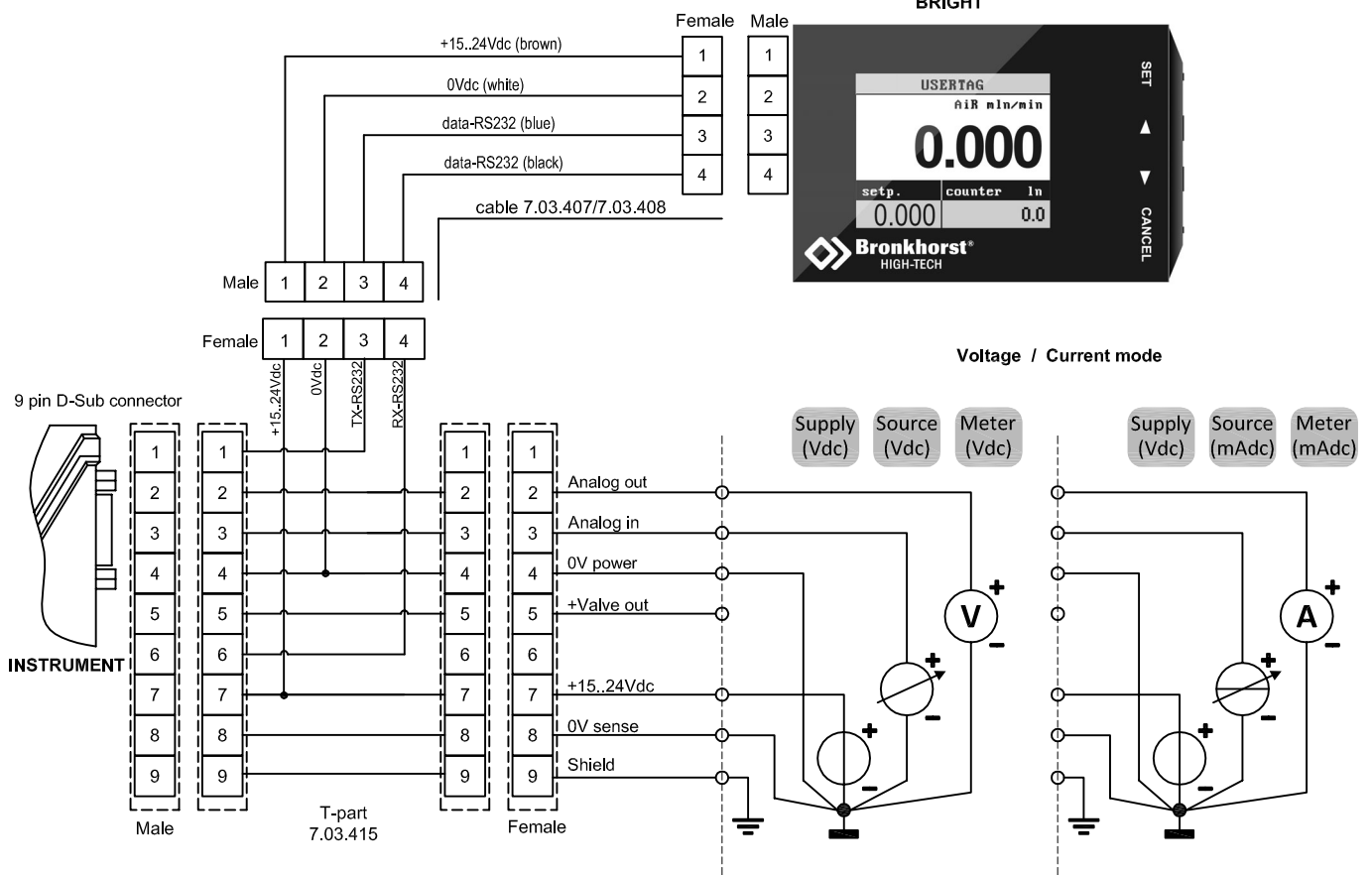
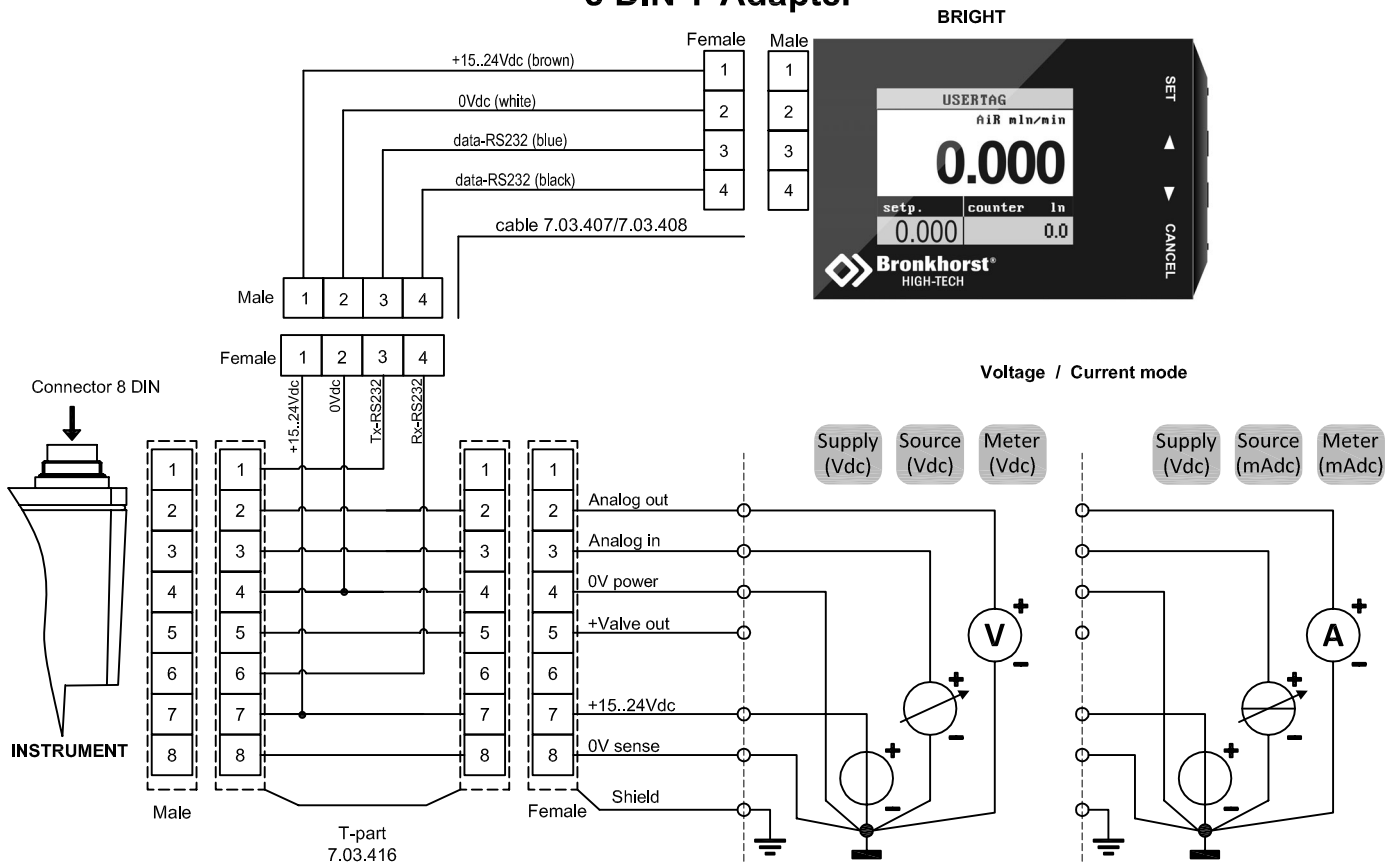


BRIGHT hook-up diagram

9 pin D-Sub T-Adapter



8 DIN T-Adapter



Note:
 These T-adapters cannot be used in combination with the RS232 T-adapter.

Note:
 Operating the instrument using the setpoint signal of the analog in is only possible if the instrument controller mode is set to 'analog'