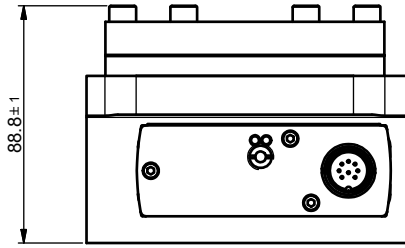
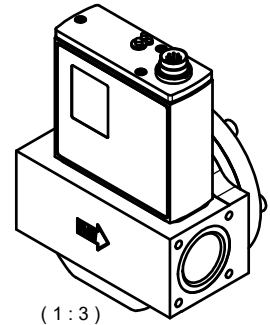


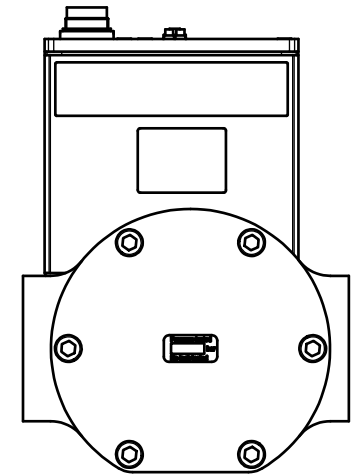
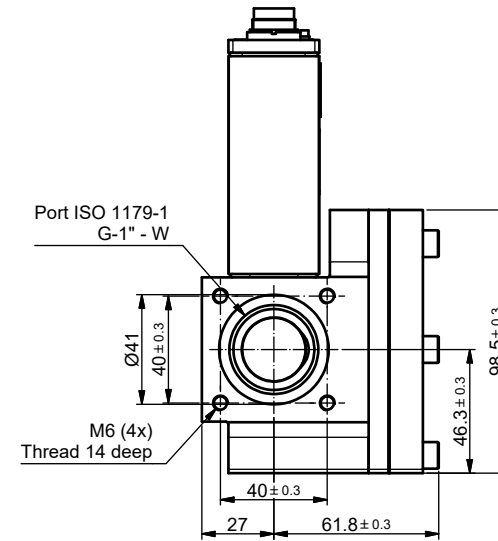
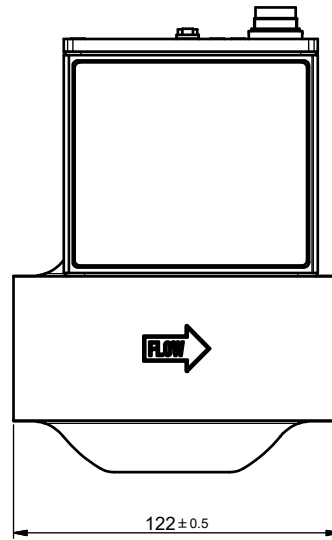
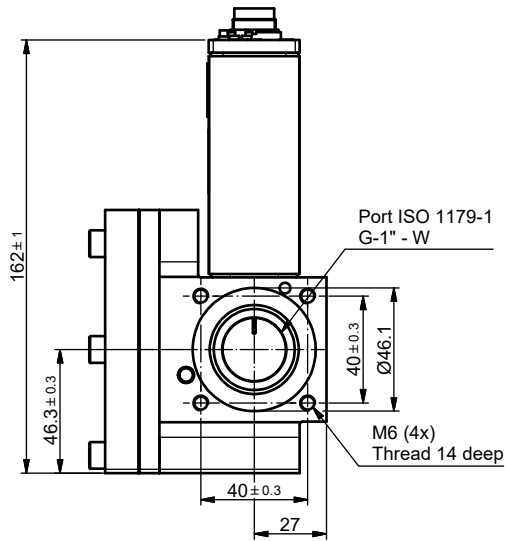
(1:3)



88.8 ± 1



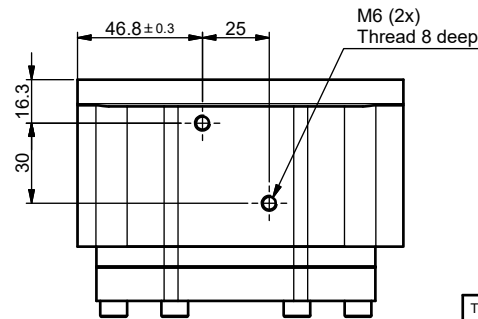
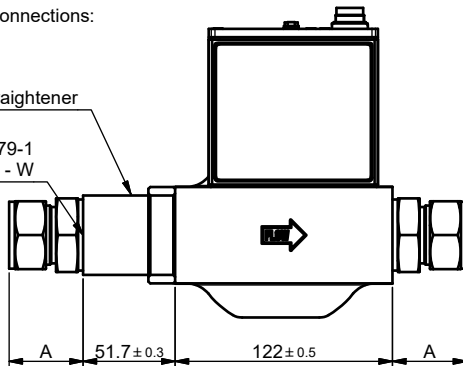
(1:3)



Optional fluidconnections:



optional flow straightener

Port ISO 1179-1
G-1" - W



Check document 7.14.155 for dimension A.
Check document 7.14.112 for the height of the multibus instrument.
Dimensions subject to change without notice.

Tolerances ± 0.2 unless
otherwise mentioned

Title: Dimensional drawing MASS-STREAM™ D-6471/DR3		Drawn by: M.H. Date: 19-03-2024	Revision Description: New drawing					
 www.bronkhorst.com		Rev. by:	<table border="1"> <tr> <td>Scale:</td> <td>A3</td> </tr> <tr> <td>1:2</td> <td></td> </tr> </table>		Scale:	A3	1:2	
		Scale:			A3			
1:2								
 Third Angle Dimensions: Metric (mm)	Date:	Checked: V.H./G.T. Date: 19-03-2024	Rev:	A				
		Drawing no.:	7.14.303	Page:	1 - 1			